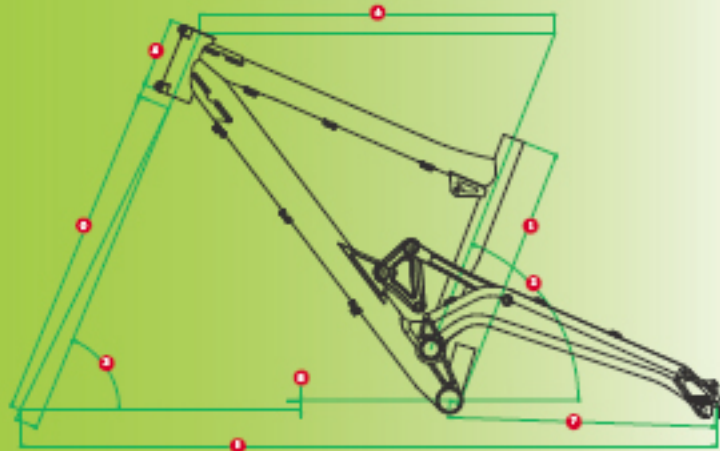


## META666



nac+ultra tubing series **A** **B** contact system **C** PERFECT SIZE TUBING **D** **E**

META666  
COMMENCAL

	S	M
1_	410mm	430mm
2_	68,5°	68,5°
3_	68,5° +/- 1°	68,5° +/- 1°
4_	111mm	111mm
5_	1081mm	1105mm
6_	548mm	572mm
7_	424mm	424mm
8_	8mm	8mm
9_	535mm	535mm

	L	XL
1_	475mm	510mm
2_	69°	69°
3_	69° +/- 0,5°	69° +/- 0,5°
4_	126mm	126mm
5_	1131mm	1153mm
6_	593mm	614mm
7_	424mm	424mm
8_	8mm	8mm
9_	535mm	535mm

Supplied with  
 1 sleeve on frame  
 1 sleeve on box  
 Mandle hangers + axle on frame  
 10mm hangers on box  
 Crank Joplin R seatpost + remote + seat clamp

1\_SEAT TUBE LENGTH  
 2\_SEAT TUBE ANGLE  
 3\_HEAD TUBE ANGLE  
 4\_HEAD TUBE LENGTH  
 5\_WHEEL BASE  
 6\_TOP TUBE LENGTH  
 7\_CHAIN STAY LENGTH  
 8\_BB HEIGHT  
 9\_FORK LENGTH

After a first year of duty with Rémy ABSALON (2008 European Marathon Downhill Champion), it's obvious the Meta 6 is off to a great start!

For 2009 the Meta 6 (160mm/6" of travel) has been improved with new geometry, new tubes, and a new COMMENCAL Contact System, all contributing to better rigidity, downhill performance and uphill efficiency. Work carried out on the suspension has been done in close collaboration with the very best suspension manufacturers for optimal performance.

The Meta 6 is a marathon downhill bike par excellence, representing the perfect mix of enduro performance and downhill fun.